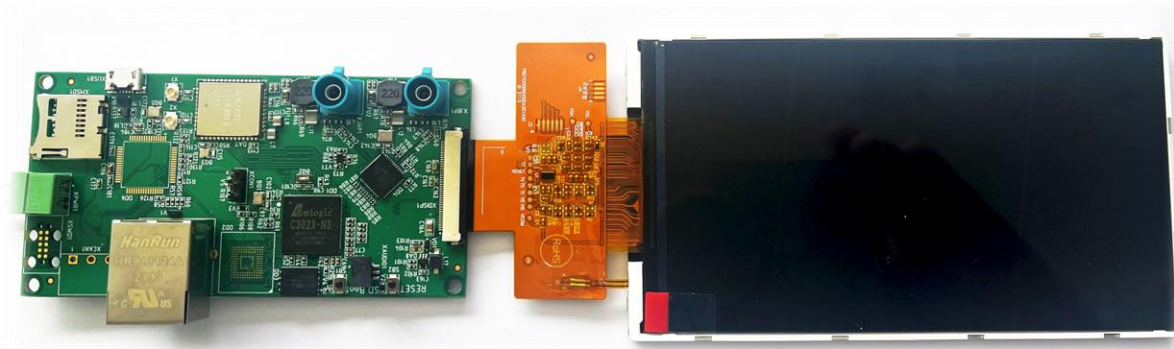


Camera kit



Features:

- Dual Core ARM Cortex-A35 processor with:
 - 256MB DDR3 RAM (SIP package);
 - High performance Image Vision ISP (up to 5Mpix with HDR);
 - H.264/H.265/JPEG encoder;
 - Video scaling, OSD support;
 - OpenCV hardware accelerator;
 - Hardware NPU supports TensorFlow, Caffe and etc;
 - Hardware audio decoder (G.711, G.726, ADPCM).
- Default sensor: Sony IMX462 (Full HD (1920x1080), ultra-low noise, HDR mode); (sensor + GMSL2 board adapter supplied with a camera kit);
- 100Mbit LAN RJ45 port;
- GMSL2 interface (coax cable with power, 15 meters cable length max);
 - Supports GMSL2 cameras also.
- 5" Color TFT LCD 720x1280 (MIPI-DSI interface);
- microSD card slot (for video recording);
- Possible extension for audio in/out;
- CAN 2.0b bus (+ CAN FD) (based on STM32F7 controller);
- Wi-Fi 802.11 b/g/n/ac (HostAP and STA, MIMO 2x2) + BLE 5.3;
- 12VDC input (low power consumption);
- Temperature range: -20.. +70 °C (possible extension).

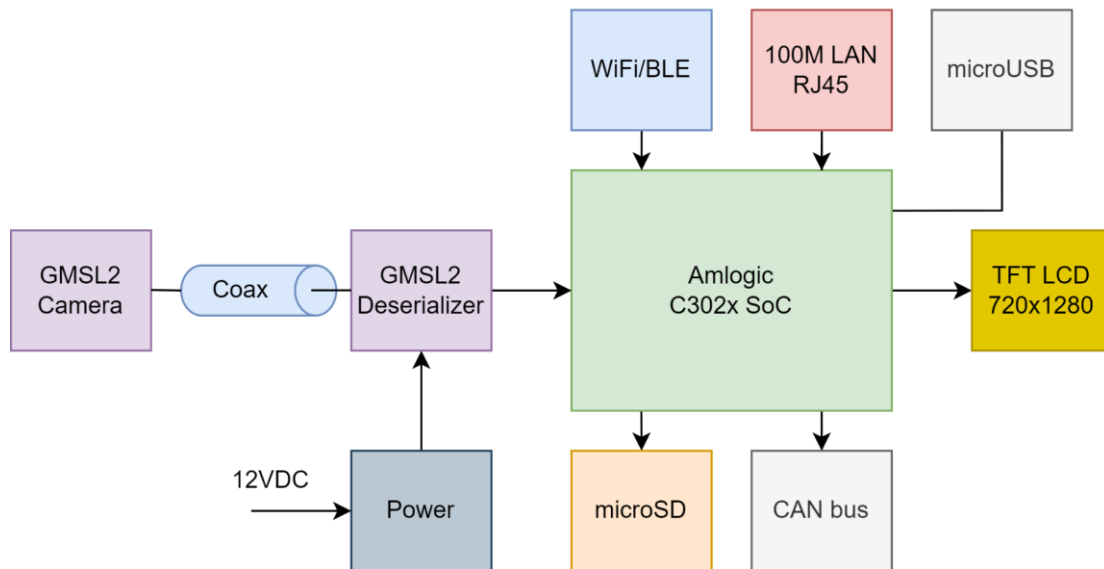


Software:

- Linux 5.15.78 (Fastboot) + Buildroot;
- Demo application with RTSP server, H.265 encoder (streaming video from the camera over Wi-Fi network, LAN network);
- Running BlueZ for future BLE applications;
- Running WiFi HostAP (+ DHCP server) and WiFi STA – possible to get RTSP video stream using VLC application on mobile phone or tablet.
- SDK for custom application development;
- OpenCV HW accelerators support in SDK;
- NN API in SDK (for example – face recognition).

Single unit pricing: 650 EUR
Volume pricing with minimal BOM: 45 EUR+

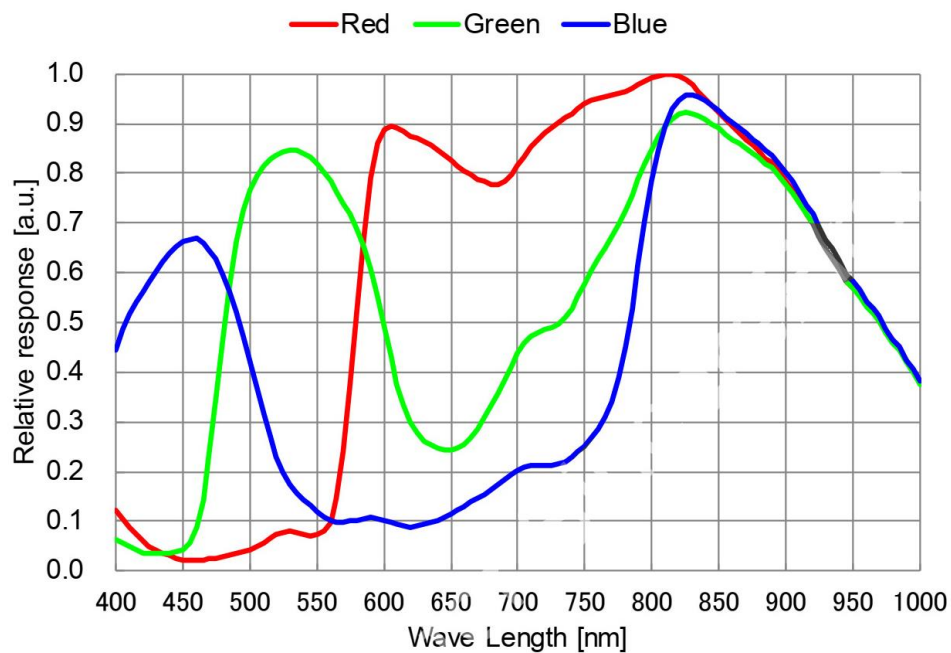
Order now
via email: info@dab-embedded.com
By phone +32 472 813 610



Sony IMX462

Spectral Sensitivity Characteristics

(Excludes lens characteristics and light source characteristics.)



Customization is possible:

- Adopting a new image sensor;
- Selecting a new lens system;
- Camera ISP tuning (camera calibration);
- 3D casing design (metal, plastic);
- Adding/removing functionality;
- BOM optimization;
- Custom software development.

Useful links:

GMSL: <https://www.analog.com/en/applications/technology/gigabit-multimedia-serial-link.html>